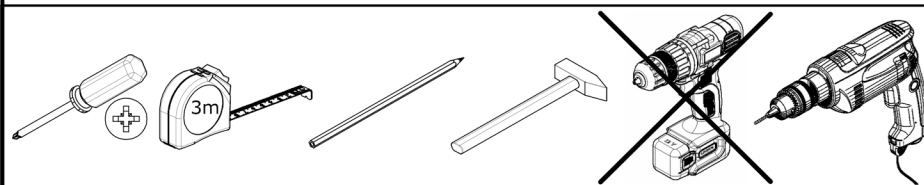
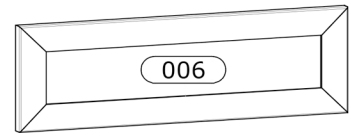
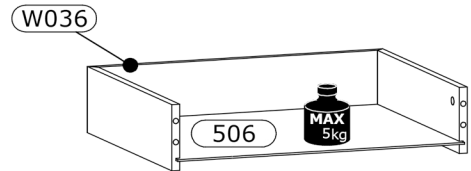
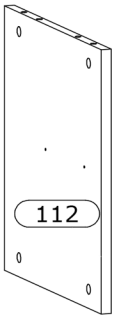
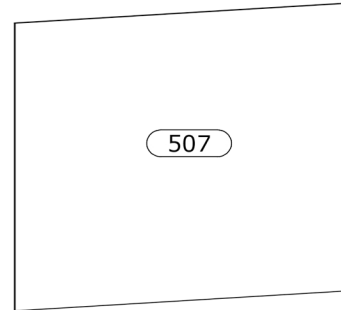
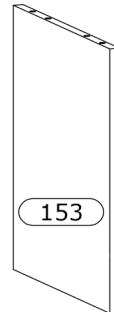
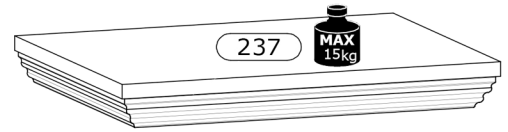
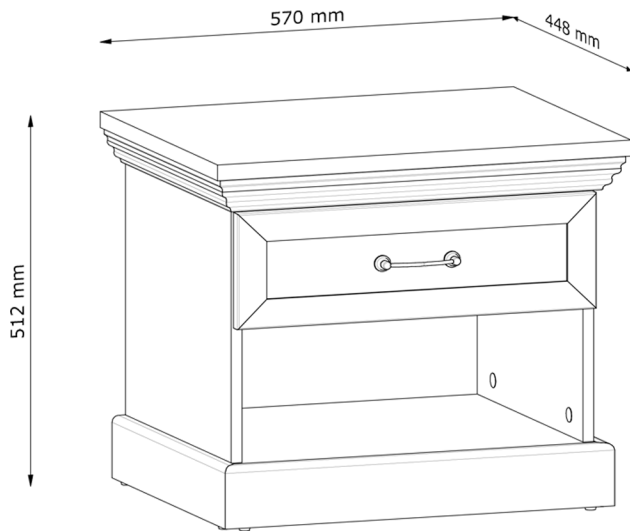


Royal

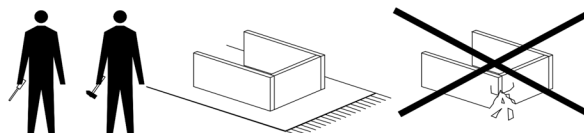
SN



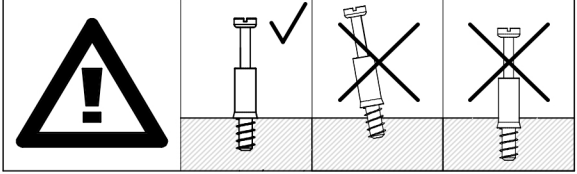
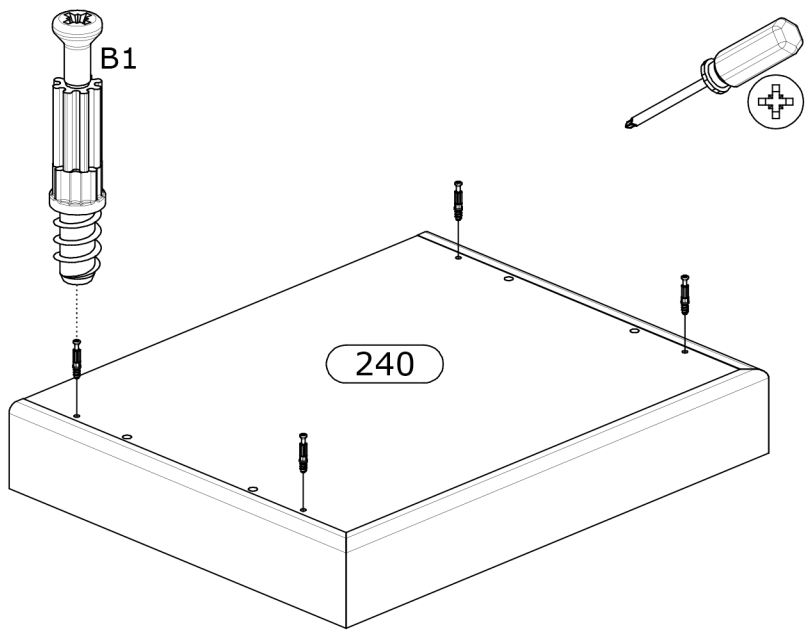
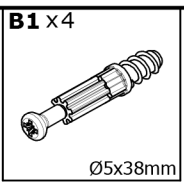
| | | | | |
|-------------------------------|------------------------------|-------------------------------|-------------------------------|-------------------------------|
| A1 x10 Ø8x35mm | B1 x10 Ø5x38mm | C1 x8 Ø15x12mm | C2 x2 Ø12x10mm | G1 x16 26mm |
| J1 x2 Ø21mm | J6 x4 Ø21mm | P10-CL x1 350mm | P10-CR x1 350mm | P10-DL x1 350mm |
| P10-DR x1 350mm | U7 x1 118x22mm | W2 x4 Ø3,5x16mm | W8 x4 Ø3x25mm | X2 x2 M4x16mm |

| Nr | L[mm] | W[mm] | H[mm] | PCS | BOX |
|------|-------|-------|-------|-----|-----|
| 006 | 495 | 160 | 18 | 1 | 1/2 |
| 112 | 400 | 400 | 15 | 1 | 1/2 |
| 153 | 400 | 400 | 15 | 1 | 1/2 |
| 237 | 570 | 445 | 72 | 1 | 2/2 |
| 240 | 537 | 428,5 | 86 | 1 | 2/2 |
| 506 | 432 | 351 | 2,5 | 1 | 1/2 |
| 507 | 435 | 497 | 2,5 | 1 | 1/2 |
| W036 | 1145 | 100 | 12 | 1 | 2/2 |

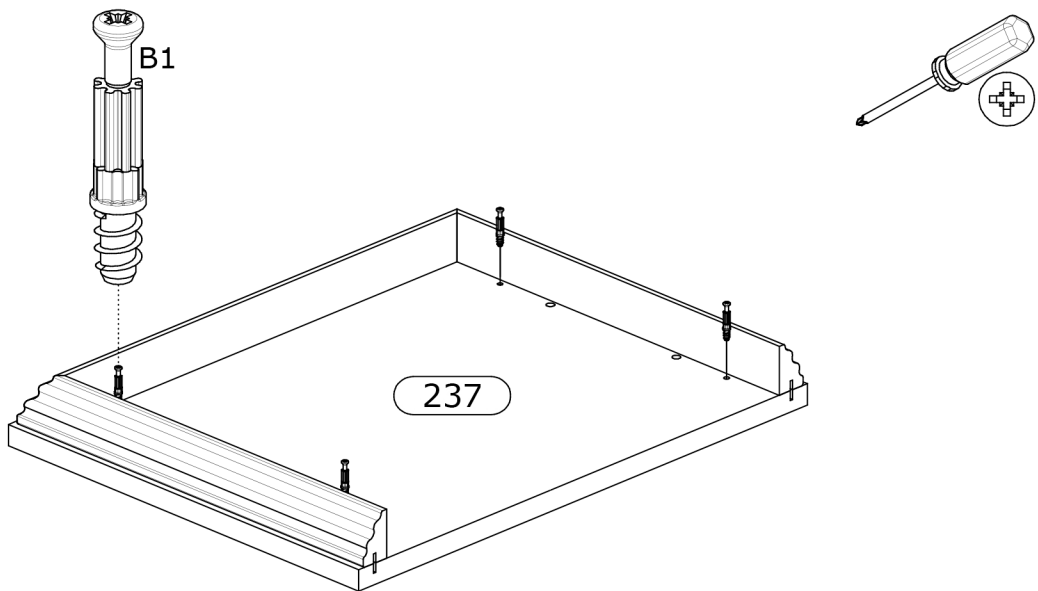
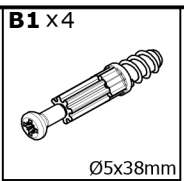
| | |
|------------------------------|------------------------------|
| Y1 x2 Ø8x1,5mm | Y5 x8 Ø15x20mm |
|------------------------------|------------------------------|



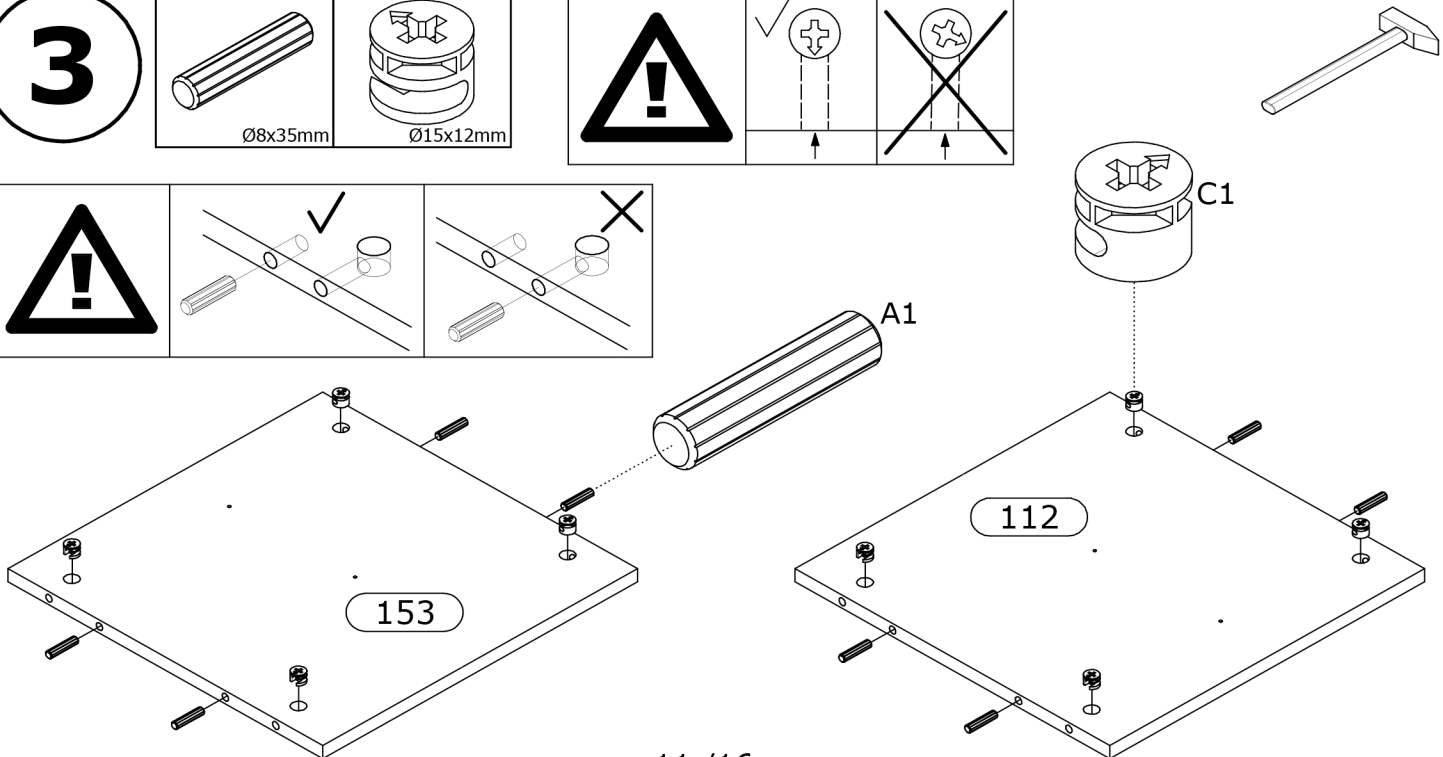
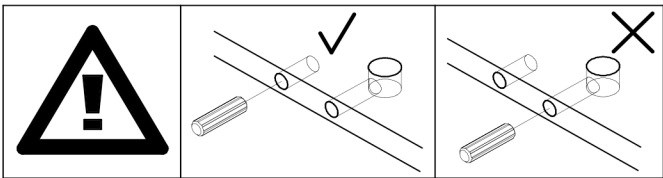
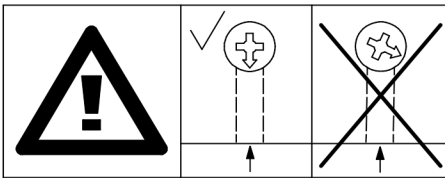
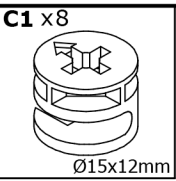
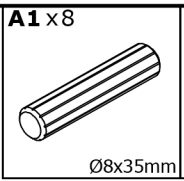
1



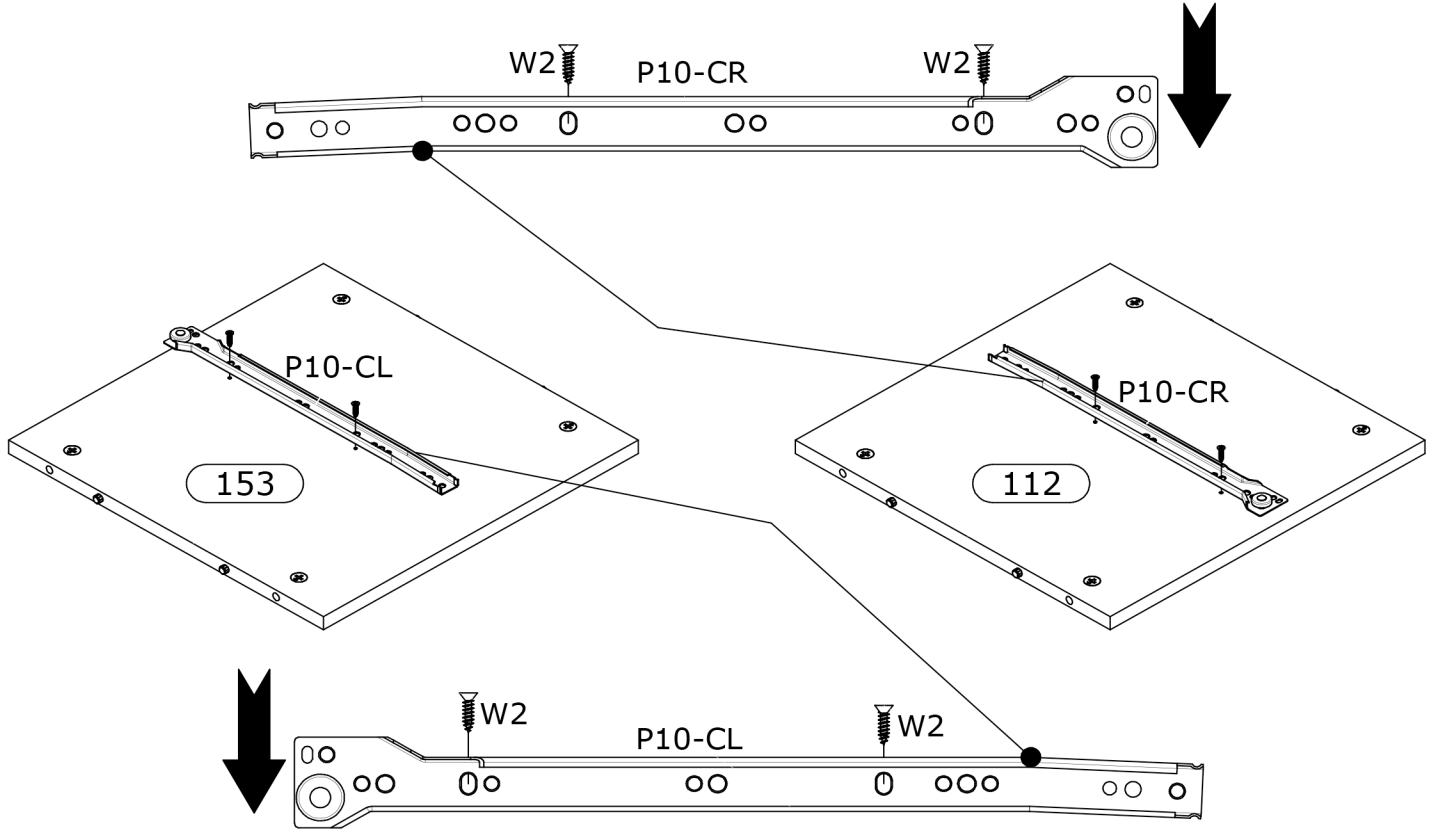
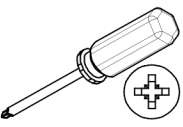
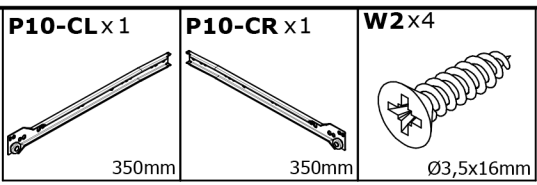
2



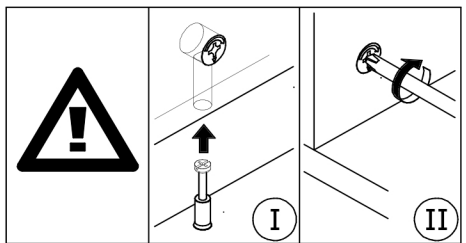
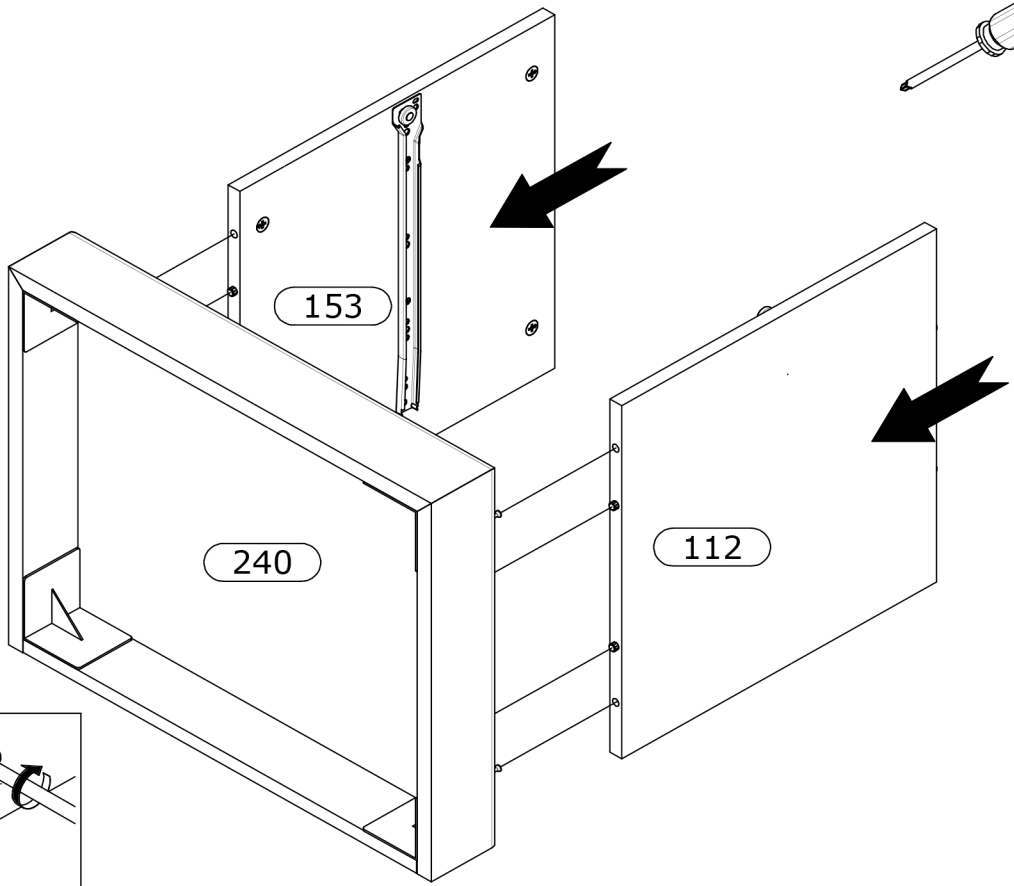
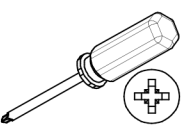
3



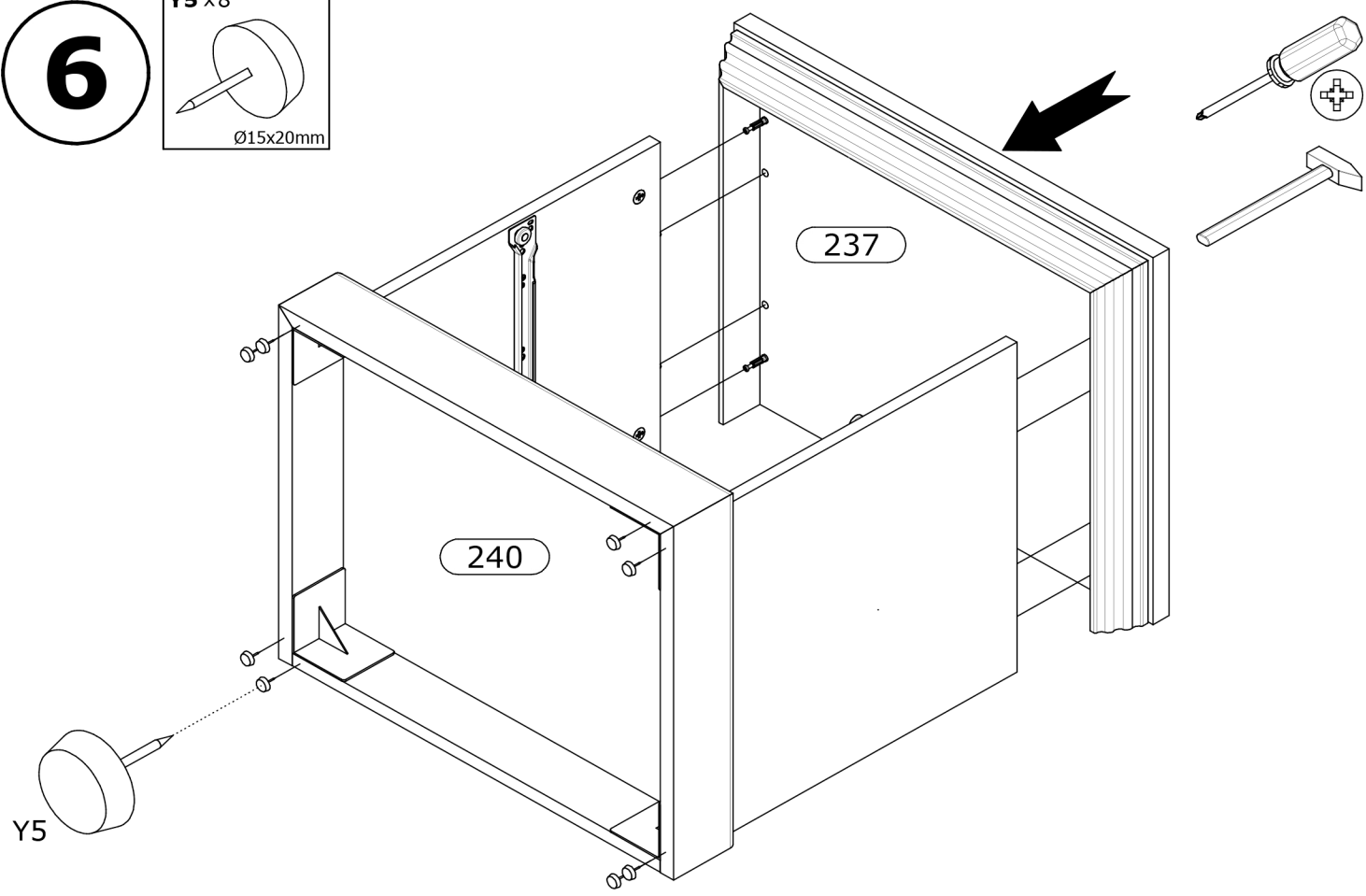
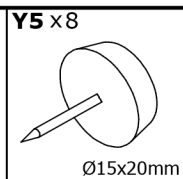
4



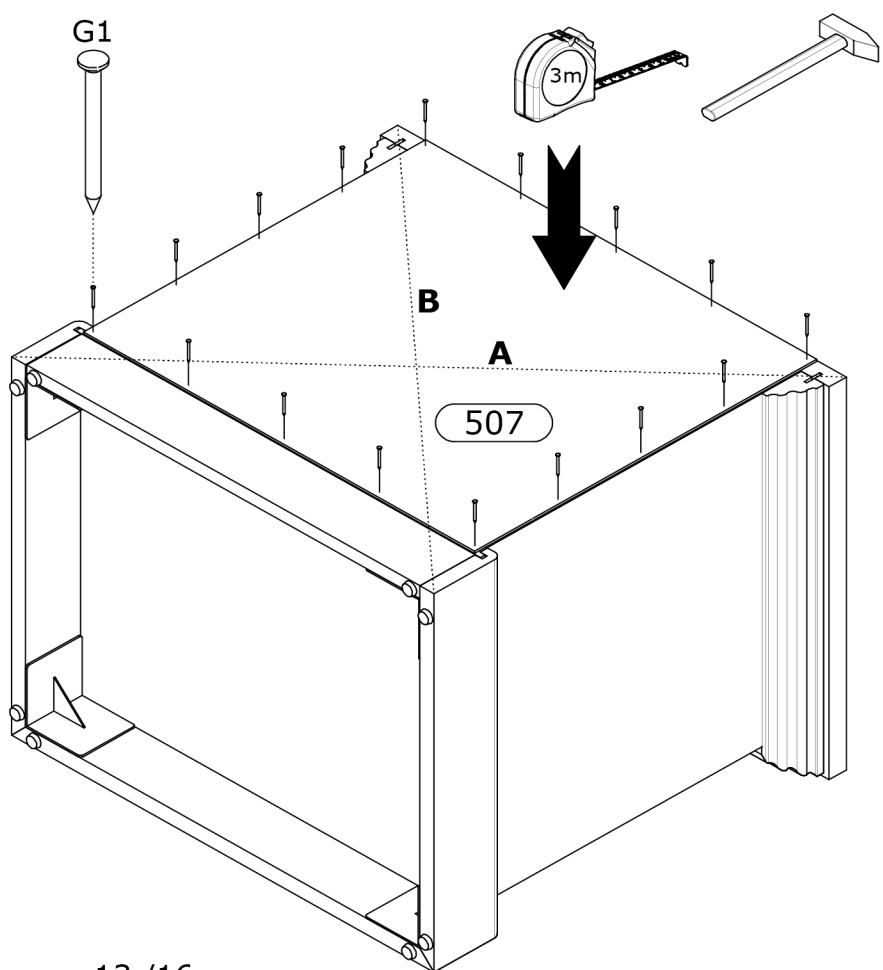
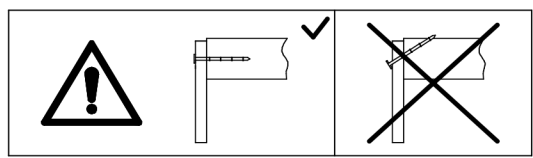
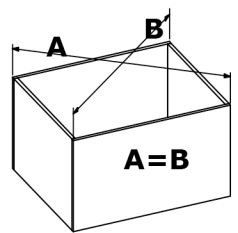
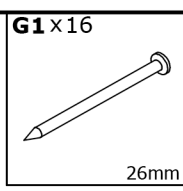
5



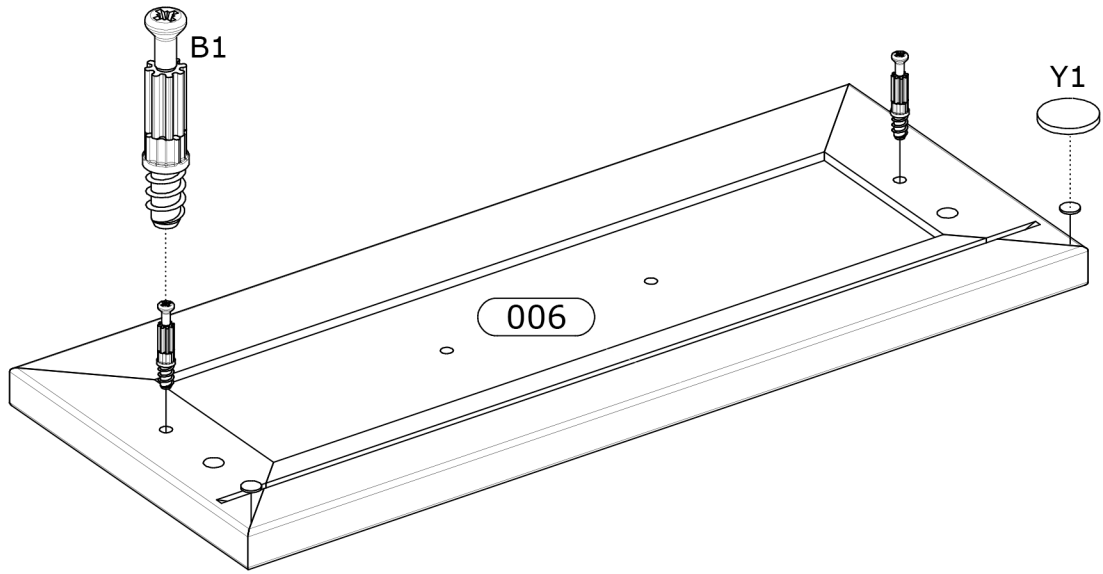
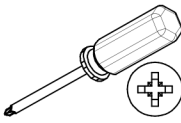
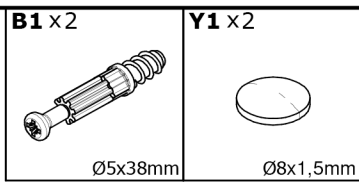
6



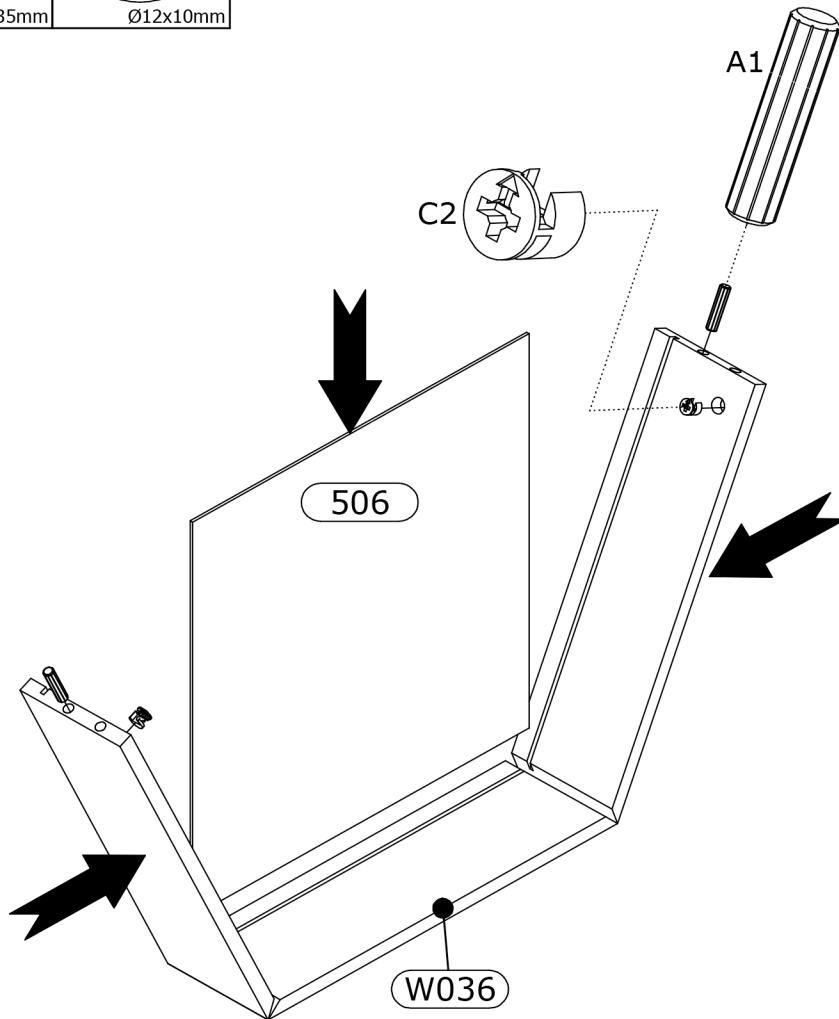
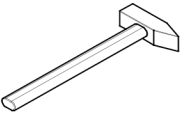
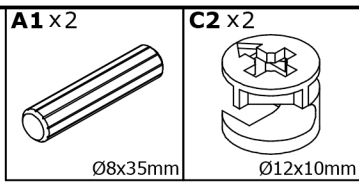
7



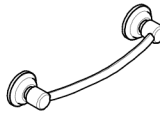
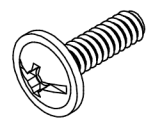
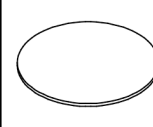
8

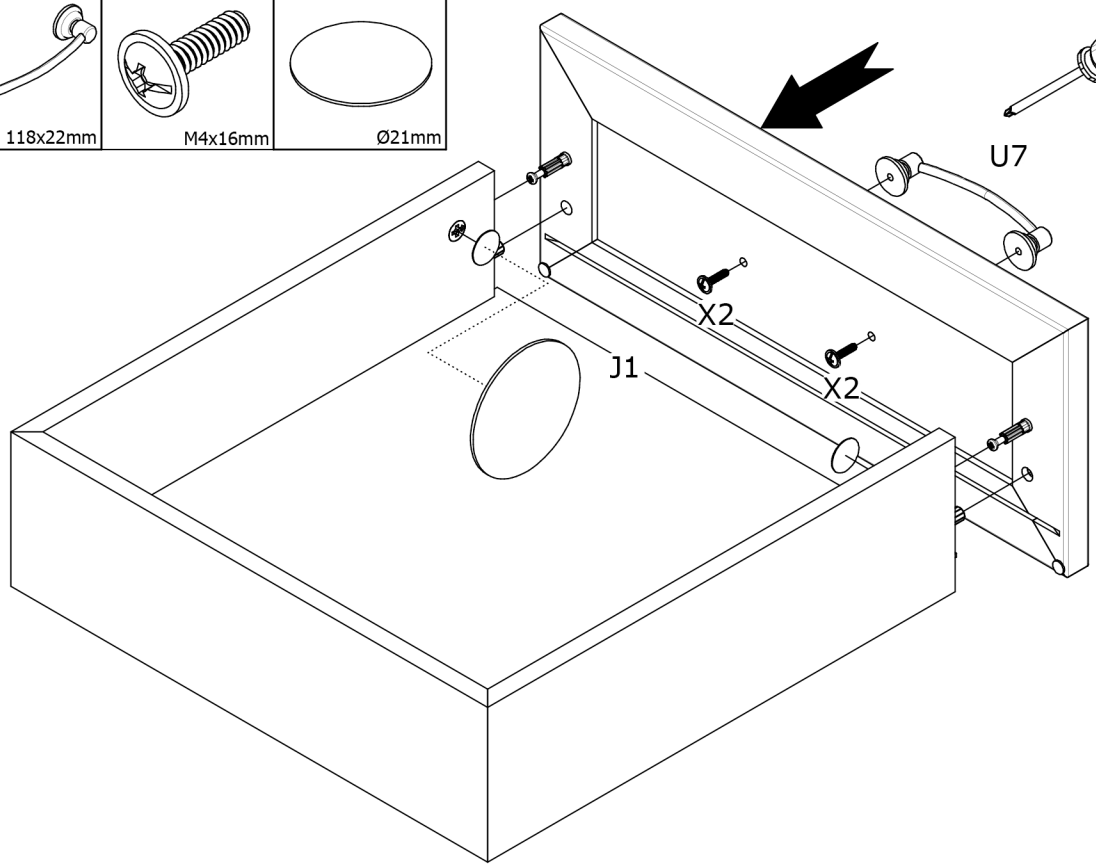


9

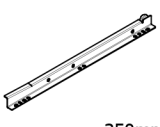
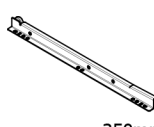



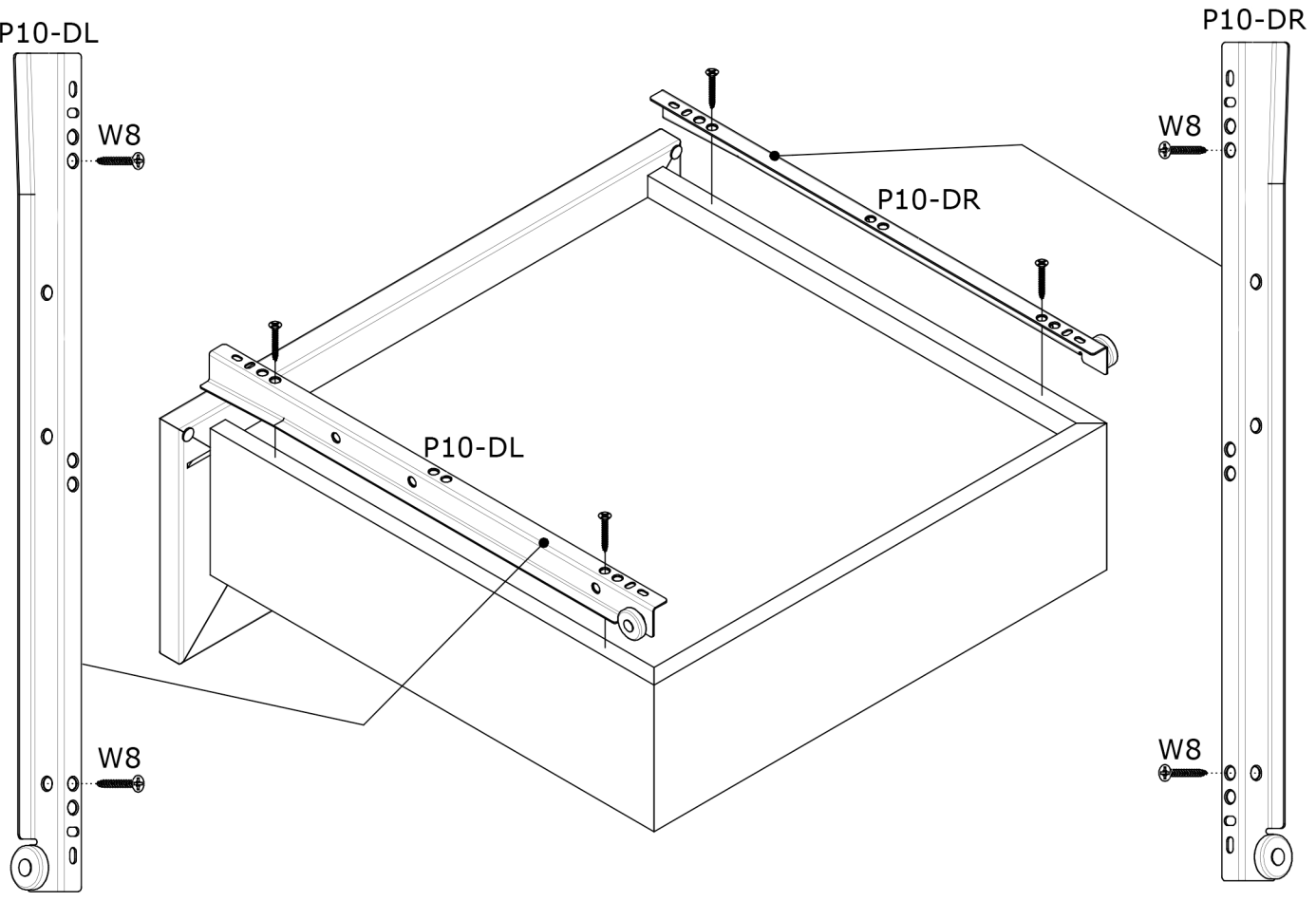
10

| | | |
|---|--|--|
| U7 x 1  118x22mm | X2 x 2  M4x16mm | J1 x 2  Ø21mm |
|---|--|--|

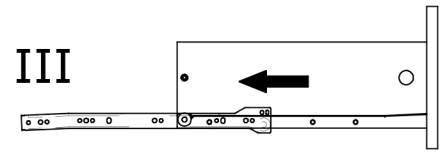
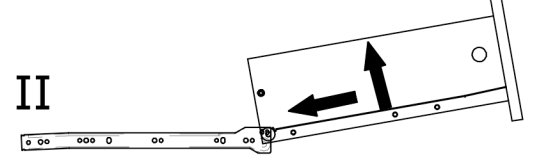
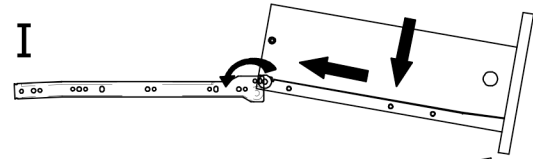
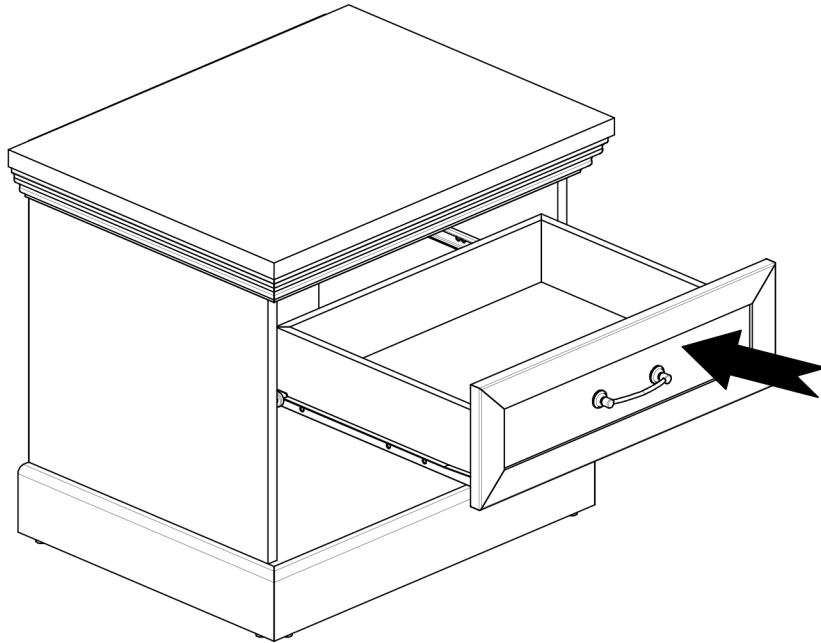


11

| | | |
|--|--|--|
| P10-DL x 1  350mm | P10-DR x 1  350mm | W8 x 4  Ø3x25mm |
|--|--|--|



12



13

